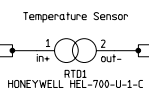
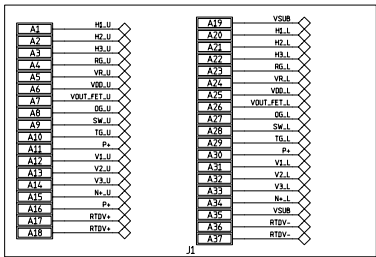
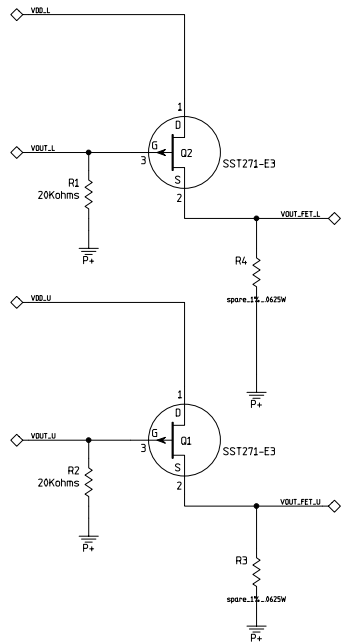


8 7 6 5 4 3 1

- VSUB.1.L ● VSUB
  - H1.L ● H1.L
  - H2.L ● H2.L
  - H3.L ● H3.L
  - RG.L ● RG.L
  - VR.L ● VR.L
  - VDD.L ● VDD.L
  - VOUT.L ● VOUT.L
  - OG.L ● OG.L
  - SW.L ● SW.L
  - TG.L ● TG.L
  - P+.L ● P+.L
  - FS1.L ● FS1.L
  - FS2.L ● FS2.L
  - FS3.L ● FS3.L
  - V1.L ● V1.L
  - V2.L ● V2.L
  - V3.L ● V3.L
  - N+.L ● N+.L
  - VSUB.2.L ● VSUB
- WIRE BOND PADS



- VSUB ● VSUB.1.U
  - H1.U ● H1.U
  - H2.U ● H2.U
  - H3.U ● H3.U
  - RG.U ● RG.U
  - VR.U ● VR.U
  - VDD.U ● VDD.U
  - VOUT.U ● VOUT.U
  - OG.U ● OG.U
  - SW.U ● SW.U
  - TG.U ● TG.U
  - P+.U ● P+.U
  - FS1.U ● FS1.U
  - FS2.U ● FS2.U
  - FS3.U ● FS3.U
  - V1.U ● V1.U
  - V2.U ● V2.U
  - V3.U ● V3.U
  - N+.U ● N+.U
  - VSUB ● VSUB.2.U
- WIRE BOND PADS



MODIFIED 2/6/2007 1:55:06 PM		
EED Department	ORIGINATOR	originator DATE date
	DRAWN	drawn DATE date
	CHECKED	checked DATE date
	APPROVED	approved DATE date
 <b>Fermi National Accelerator Laboratory</b> United States Department of Energy		
G:\DES_AIN_Board\AIN_Board_nano\FET_V8\AIN_Board_nano\FET_V8.pj		
SIZE	DRAWING NUMBER	Schematic Page 01 of 01
D	drawing number	REV A

8 7 6 5 4 3 1