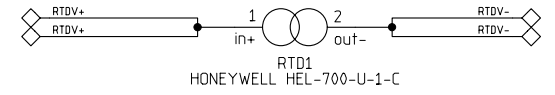
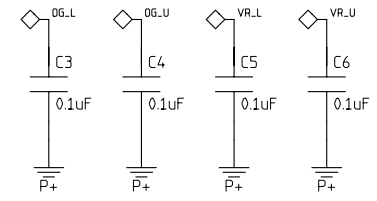
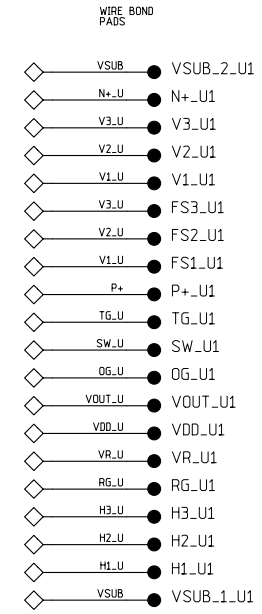
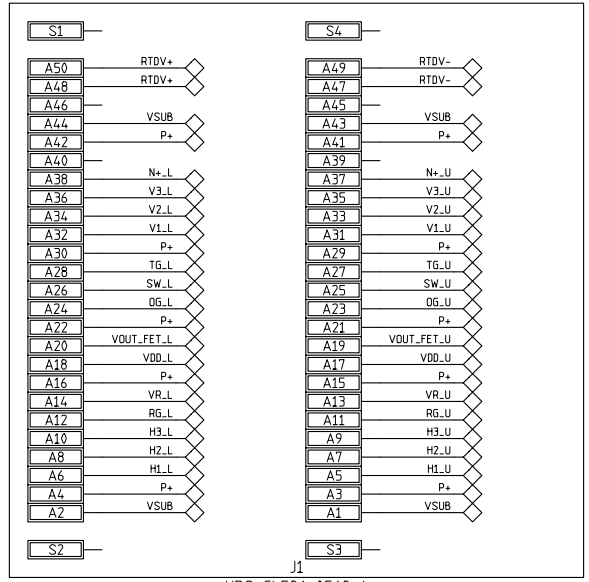
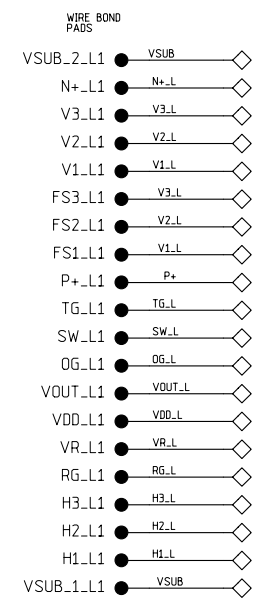


8 7 6 5 4 3 1

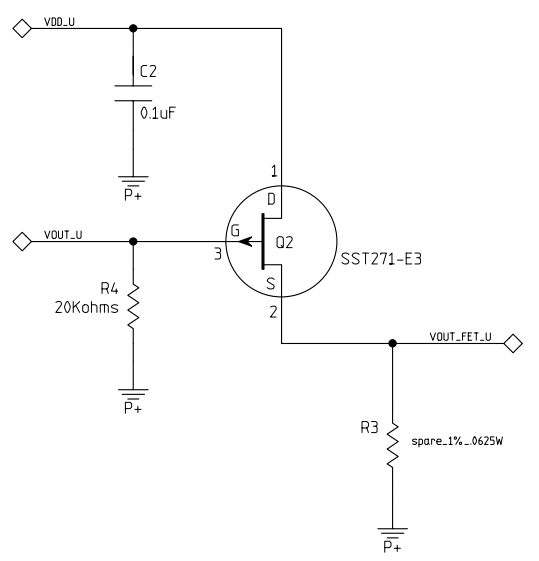
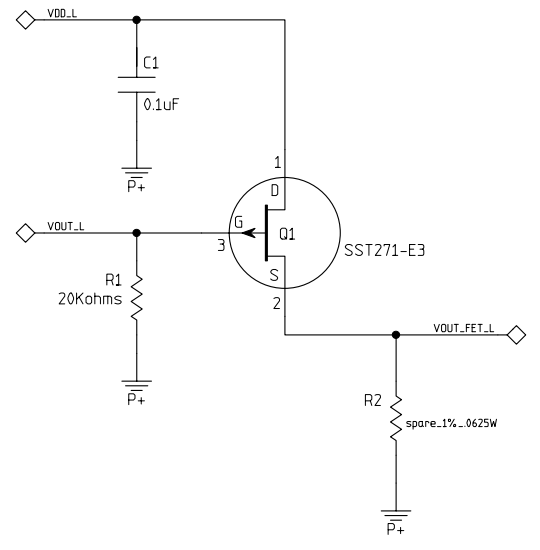
Temperature Sensor



RTD1
HONEYWELL HEL-700-U-1-C



VDD = -22V
VR = -12.5V
Vog = 3.5V



| | | | |
|-------------------------------|------------|------------|-----------|
| MODIFIED 1/29/2007 3:58:22 PM | | | |
| EED Department | ORIGINATOR | originator | DATE date |
| | DRAWN | drawn | DATE date |
| | CHECKED | checked | DATE date |
| | APPROVED | approved | DATE date |



Fermi National Accelerator Laboratory
United States Department of Energy

D:\DES_AIN_Board\AIN_Board_JFET_V7\AIN_Board_JFET_V7.prj

| | | | |
|------|----------------|-------------------------|-----|
| SIZE | DRAWING NUMBER | Schematic Page 01 of 01 | REV |
| D | drawing number | | A |

8 7 6 5 4 3 2 1