

4

3

2

1

B

B

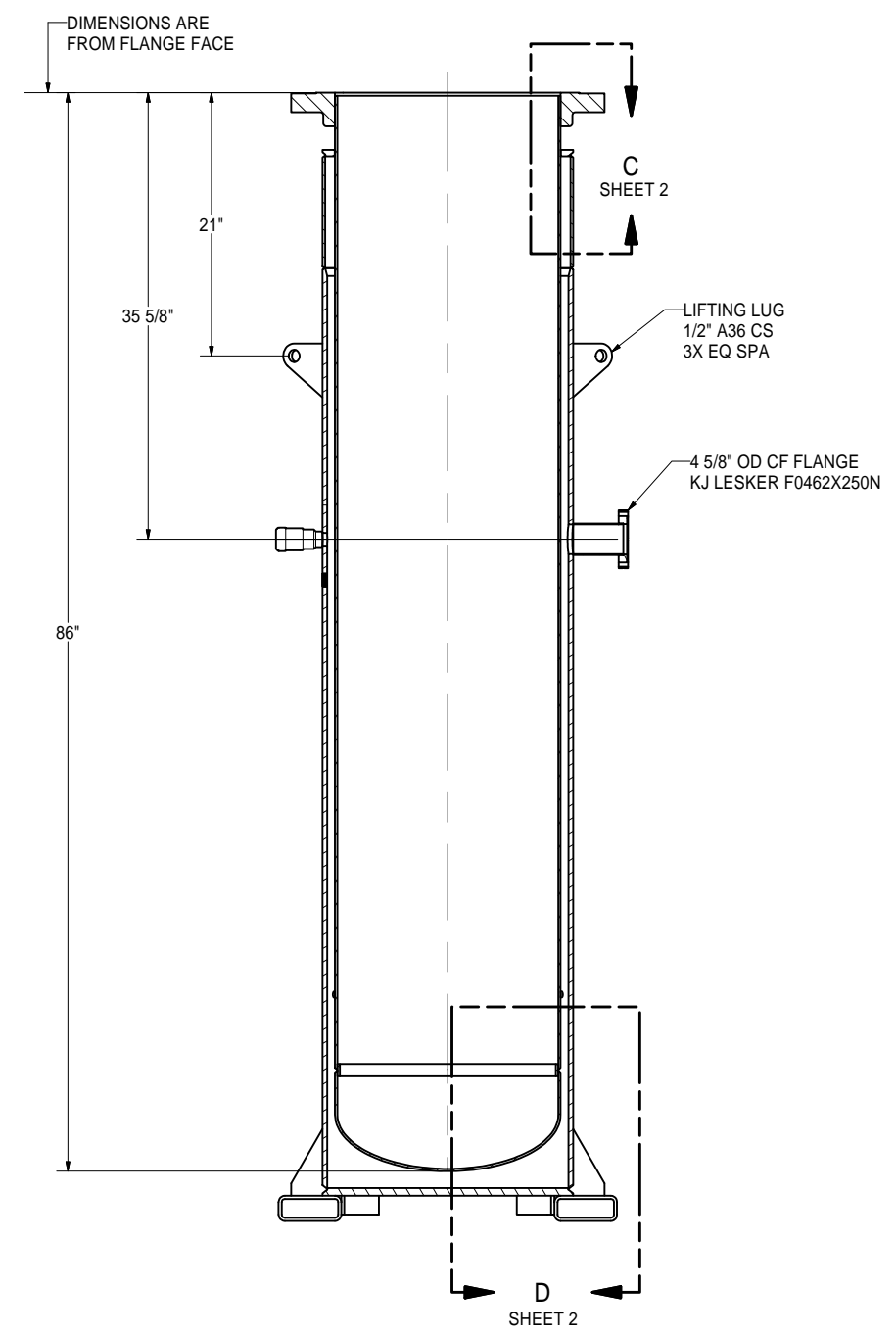
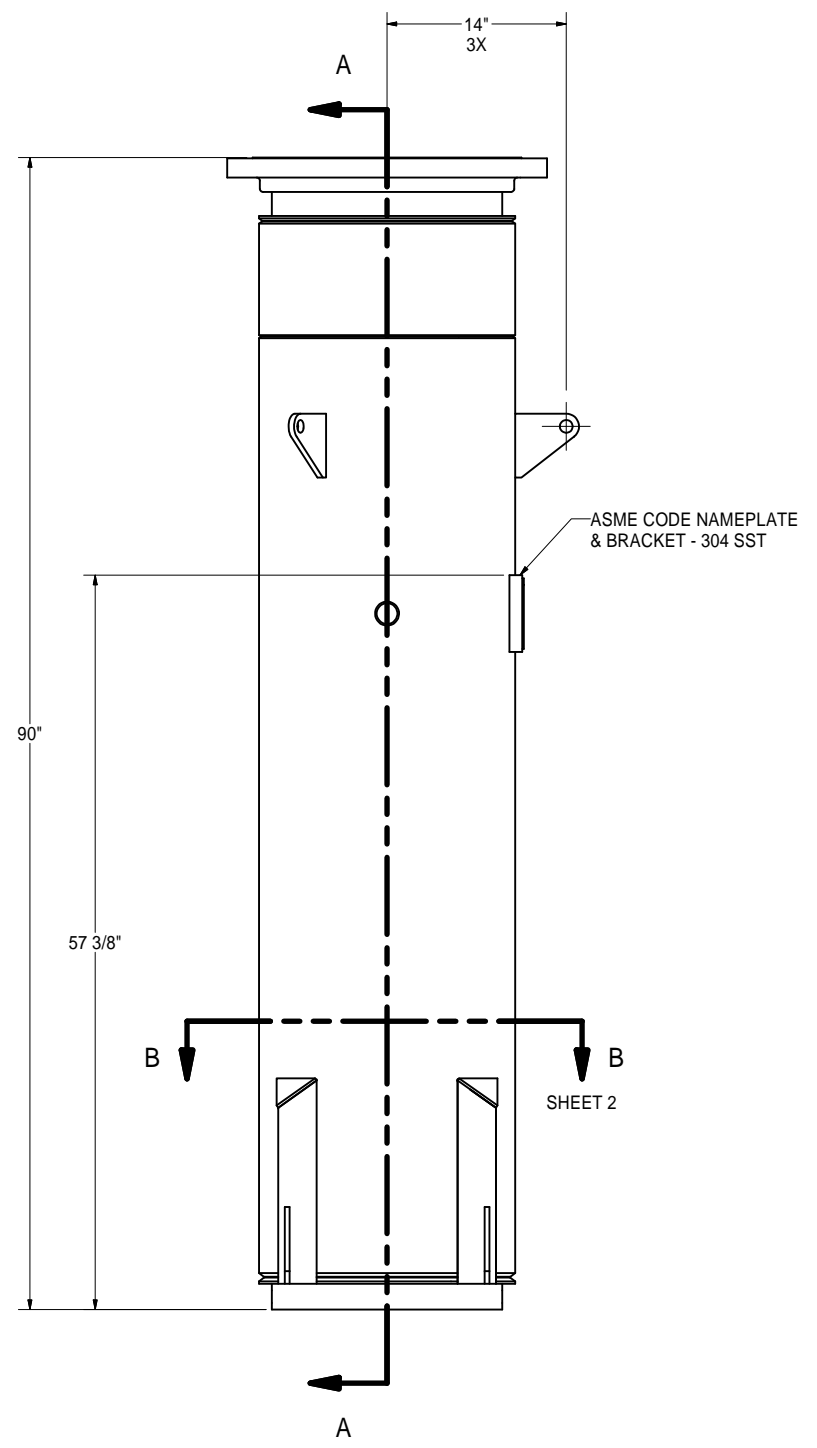
A

A

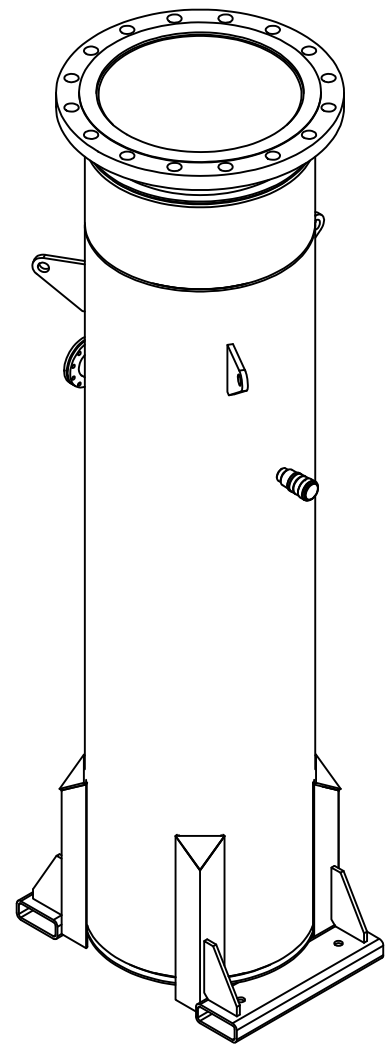
REVISIONS

DESCRIPTION
1) REDUCED OVERALL HEIGHT TO 90" BY SHORTENING LEGS 2) ADDED MOUNTING HOLES TO FORK TRUCK STAVES

EDR	SW
ENGR	SW
CHKD	KAK
DWN	SW
DATE	07-30-07
REV	A



SECTION A-A
FULL SECTION



INFORMATION SHOWN ON THIS DRAWING IS PROPRIETARY AND THE SOLE PROPERTY OF PHPK AND IS NOT TO BE DISCLOSED OR TRANSMITTED TO UNAUTHORIZED PARTIES.

WEIGHT	COST CENTER	CONTRACT NO	PART NUMBER	NO REQD	NEXT ASSEMBLY	
DRAWN BY	Steve Willming 7/27/2007	TOLERANCES		PHPK TECHNOLOGIES 2111 BUILDERS PLACE COLUMBUS, OH 43204 614-486-4750 WWW.PHPK.COM		
CHECKED	SW 7/28/2007	FRACTION	± 1/8	FNAL DES PRESSURE VESSEL GENERAL ARRANGEMENT		
ENGINEER	SW 7/28/2007	2 PL .XX	± .01			
REVIEWED	KAK 7/28/2007	3 PL .XXX	± .005			
RELEASE DATE	07-27-07	ANGULAR	± 1/2"	SIZE	DRAWING NUMBER	
DIMENSIONS ARE IN INCHES AND PROVIDED PRIOR TO SURFACE TREATMENTS, UNLESS NOTED.		EDR NO		B	07-1963-0500	CHG A
SCALE:			SHEET 1 OF 2			

4

3

2

1



4

3

2

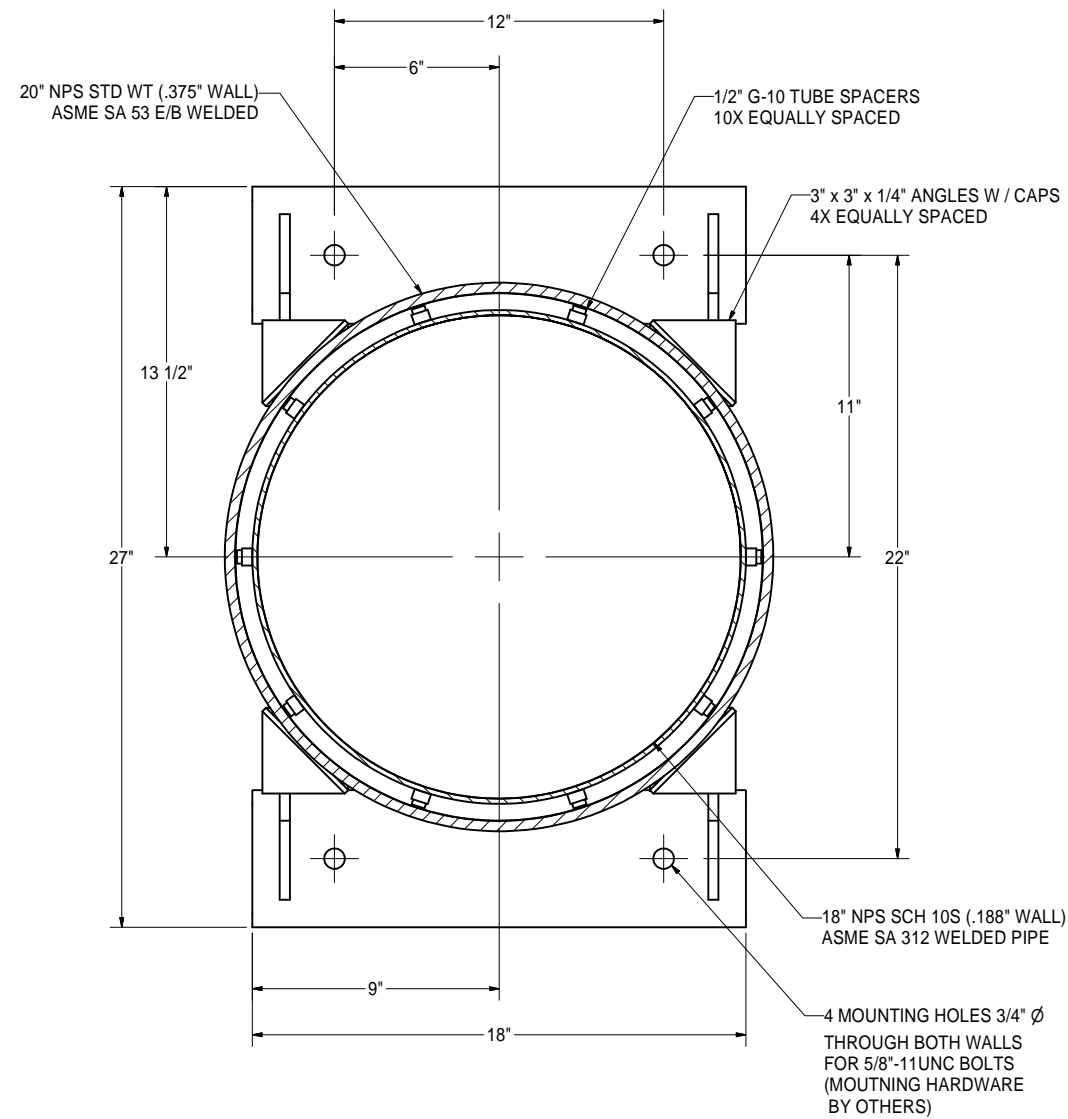
1

B

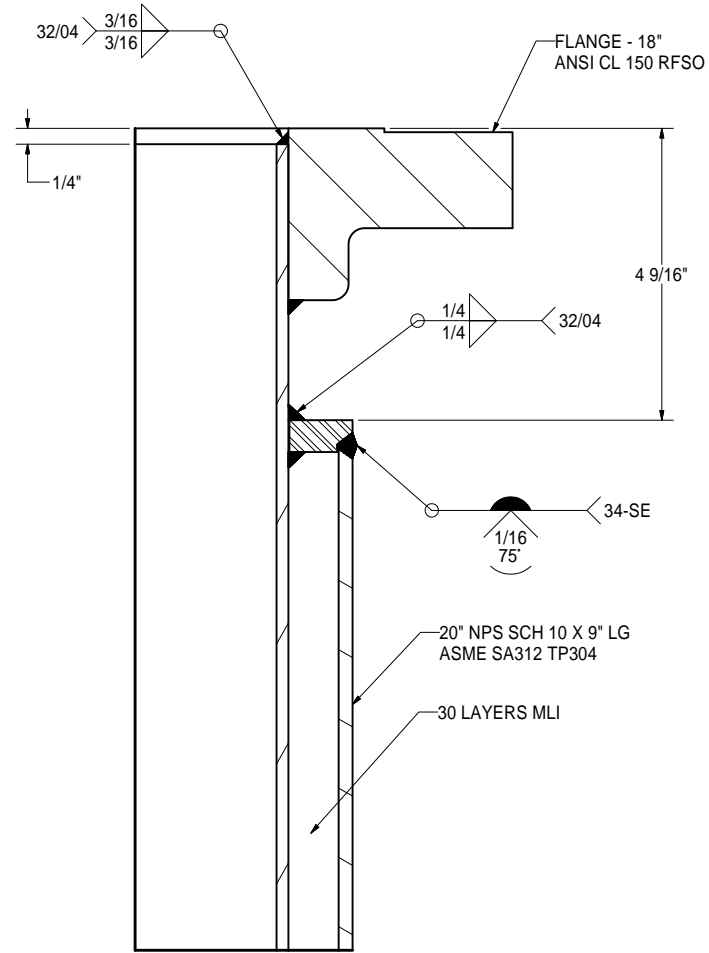
B

A

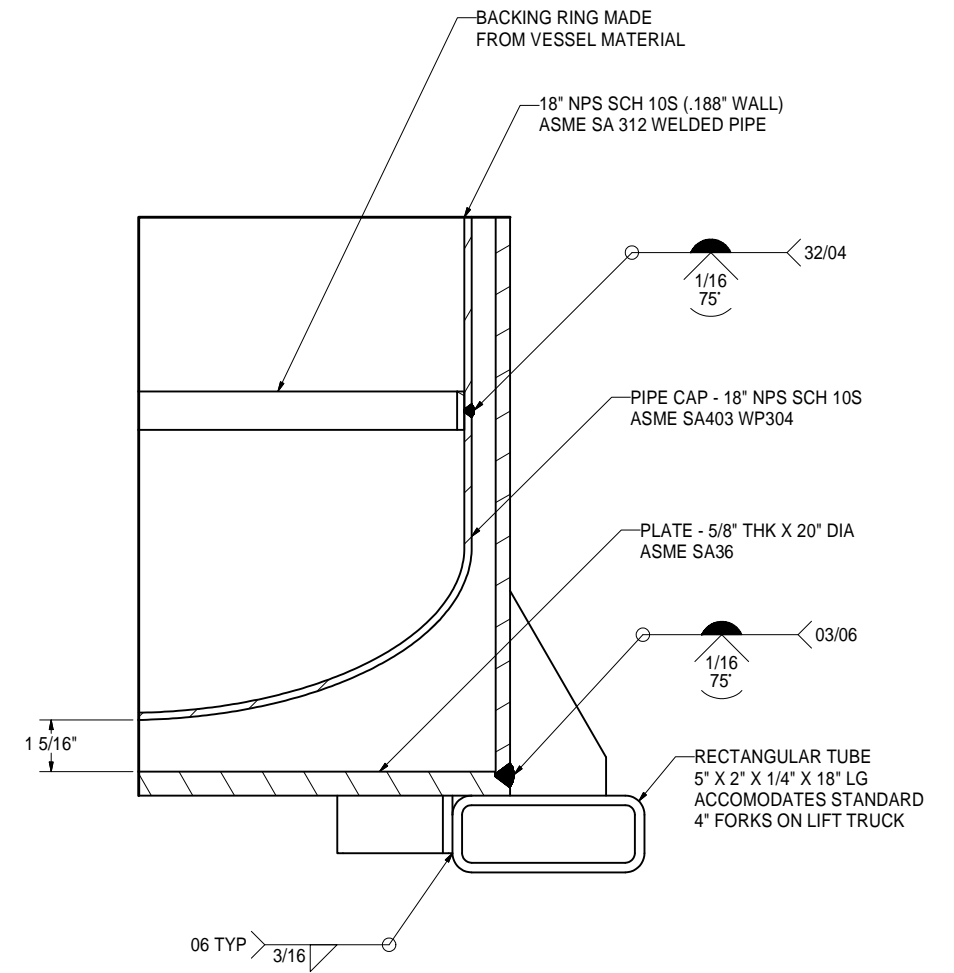
A



SECTION B-B
FOOT PRINT
FROM SHEET 1



DETAIL C
FROM SHEET 1



DETAIL D
FROM SHEET 1

SIZE	DRAWING NUMBER	CHG
B	07-1963-0500	A
SCALE:	1	SHEET 2 OF 2

4

3

2

1

A