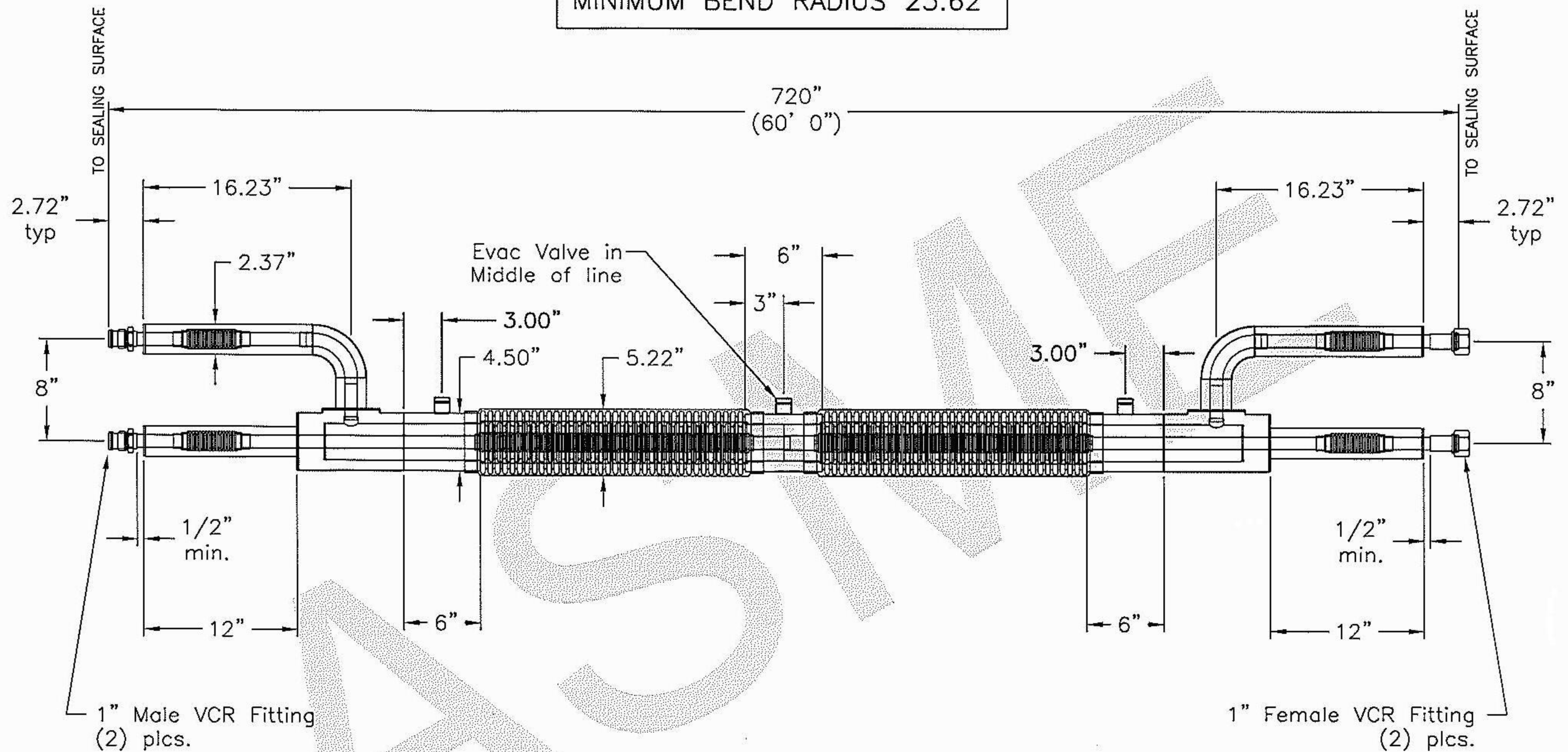


MAWP
150 psi

MINIMUM BEND RADIUS 23.62"



THIS DRAWING INCLUDES CONFIDENTIAL AND PROPRIETARY INFORMATION OF DURAFLEX, INC. AND IS PROVIDED IN CONFIDENCE. THIS INFORMATION MAY NOT BE REPRODUCED OR ITS CONTENTS DISCLOSED TO THIRD PARTIES WITHOUT THE PRIOR WRITTEN CONSENT OF DURAFLEX, INC.

DURAFLEX, INC.
6305 LONDONDERRY DR.
CARY, IL 60013
PH: 847-462-1007 FAX: 847-462-1450

DO NOT SCALE DRAWING
DIMENSIONS IN INCHES

	INITIALS	DATE
CAD	LSmith	8/27/07
ENG		
PROD		

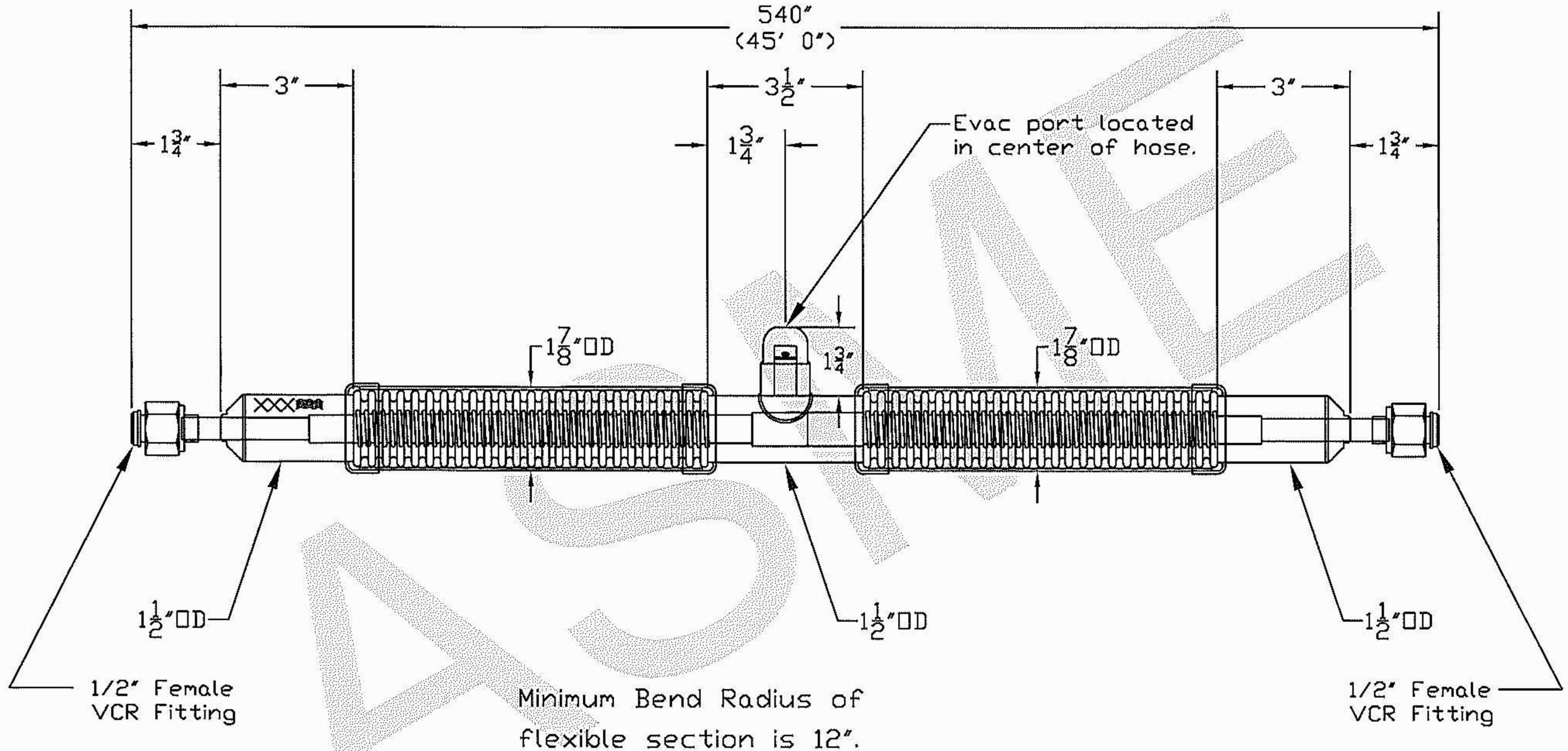
Drawing #:
Part #: D010TVJAVCR-720
Cryogen: LN2

REVISION
B
DATE

** NOT FOR USE WITH LIQUID OXYGEN **

MAWP

200 psi



THIS DRAWING INCLUDES CONFIDENTIAL AND PROPRIETARY INFORMATION OF DURAFLEX, INC. AND IS PROVIDED IN CONFIDENCE.
 THIS INFORMATION MAY NOT BE REPRODUCED OR ITS CONTENTS DISCLOSED TO THIRD PARTIES WITHOUT THE PRIOR WRITTEN CONSENT OF DURAFLEX, INC.

DURAFLEX, INC.
 6305 LONDONDERRY DR.
 CARY, IL 60013
 PH: 847-462-1007 FAX: 847-462-1450

DO NOT SCALE DRAWING
 DIMENSIONS IN INCHES

	INITIALS	DATE
CAD	LRobison	8/16/07
ENG		
PROD		

Drawing #:
 Part #: D005BVJPSVCR-540
 Cryogen: LN2

REVISION
 DATE

** NOT FOR USE WITH LIQUID OXYGEN **