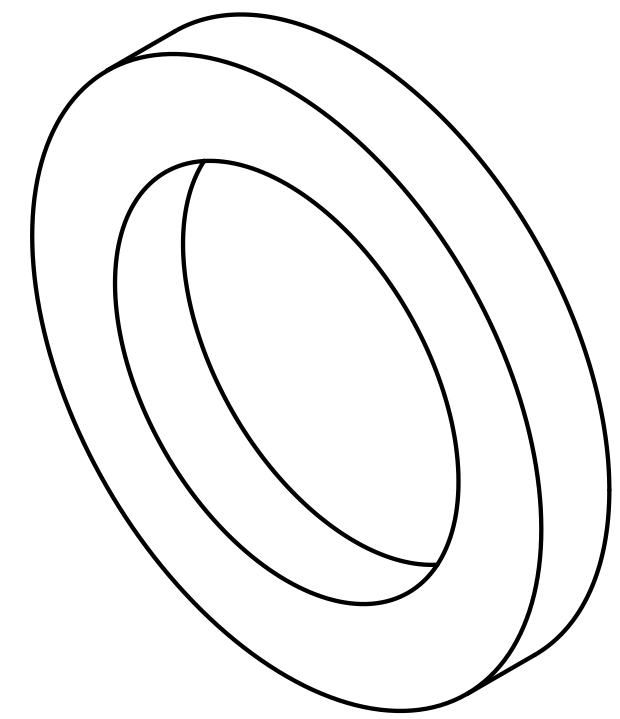
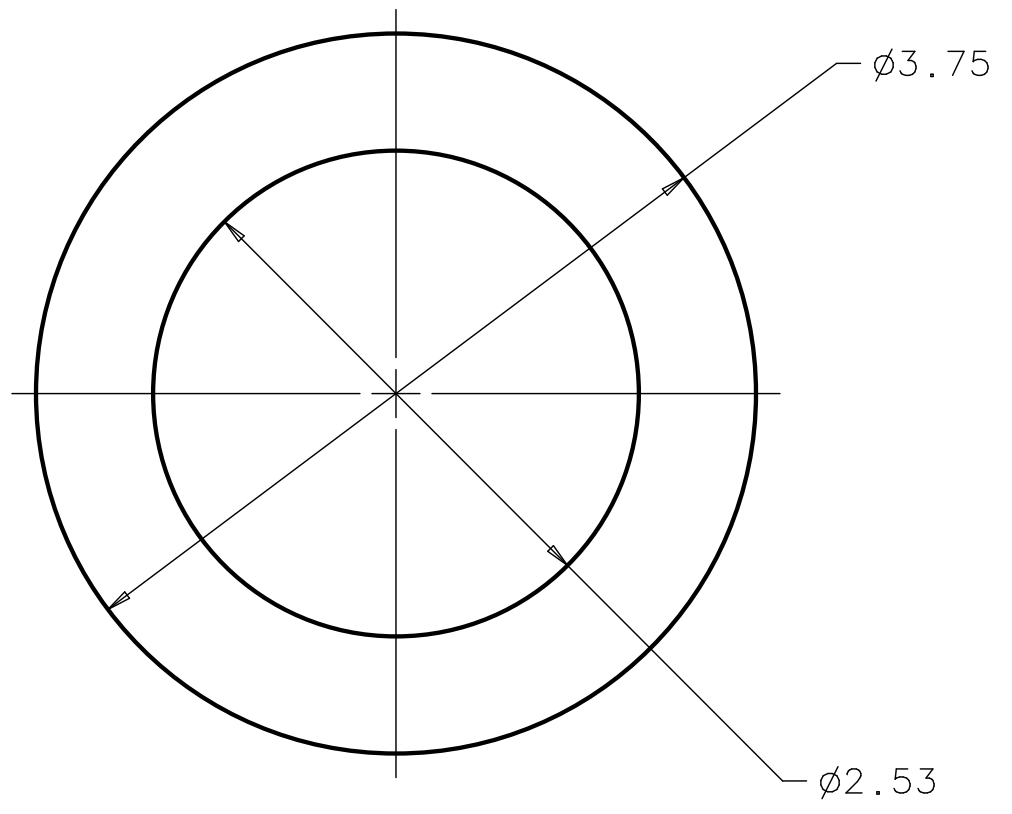
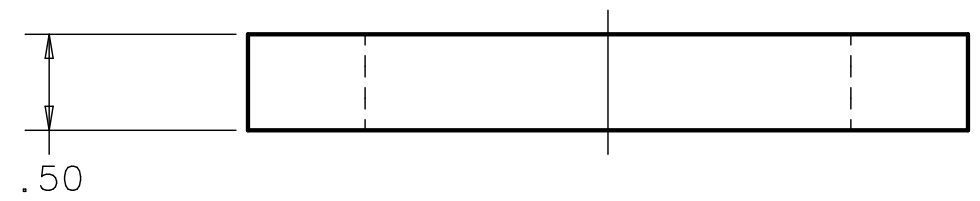


REV	DESCRIPTION	DRAWN	DATE
		APPROVED	DATE



ISOMETRIC VIEW



UNLESS OTHERWISE SPECIFIED			ORIGINATOR	H. CEASE	02-APR-2008
.XX	.XXX	ANGLES	DRAWN	B. ELLISON	02-APR-2008
$\pm .02$	$\pm ***$	$\pm ***$	CHECKED	J. RAUCH	04-APR-2008
1. BREAK ALL SHARP EDGES .015 MAX. 2. DO NOT SCALE DRAWING. 3. DIMENSIONS BASED UPON ASME Y14.5M-1994 4. MAX. ALL MACH. SURFACES $\sqrt{125}$ 5. DRAWING UNITS: U.S. INCH			APPROVED	H. CEASE	04-APR-2008
			USED ON		ME-436466
			MATERIAL	304-SST	



FERMI NATIONAL ACCELERATOR LABORATORY  
UNITED STATES DEPARTMENT OF ENERGY

DECAM/CCDS  
TEST VESSEL ASSEMBLY  
2.53 I.D. REINFORCEMENT PAD

SCALE	DRAWING NUMBER	SHEET	REV
1:1	4900.120-MB-436554	1 OF 1	

CREATED WITH : Ideas12NXSeries GROUP: PPD/MECHANICAL DEPARTMENT